

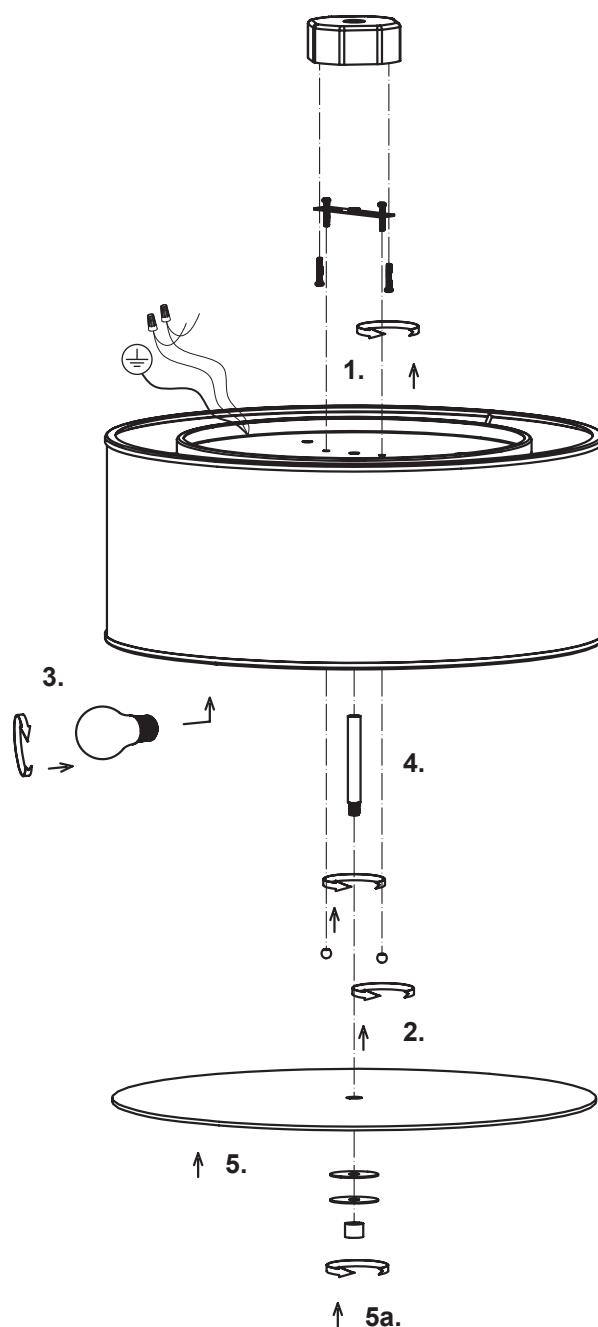
Four lamp ceiling fixture

- 1.** Remove the fixture from its original packaging. Remove the canopy mounting plate from within the canopy and attach it to the electrical junction box on the ceiling using the two screws provided in the hardware package.
- 2.** Attach the canopy to the mounting plate, which is attached to the electrical junction box on the ceiling. First attach all wiring with the provided marrets (white to white "N", black to black "L", ground to ground "G"). Align the two holes from the canopy to the two screws pointing down from the mounting plate. Push the screws through the canopy plate so they are poking through, once this is complete you can screw on the decorative nuts until tight.
- 3.** Now that your fixture is installed to the ceiling you can install the A-19 light bulbs of the correct wattage.
- 4.** Attach the diffuser support rod to the center of the fixture by screwing the female end of the rod into the male connector on the fixture (do not over tighten).
- 5.** Take the bottom glass diffuser and install it on the bottom of the fixture, (5a) using the washer and nut to firmly lock it in place (do not over tighten).
- 6.** You have now completed the installation of your fixture, please enjoy.

START FROM HERE

- Make sure power is completely off at the fuse box.
- Have your fixture installed by a qualified licensed electrician
- Prepare everything in clear area.
- Wear gloves at all times during this installation.
- Read instructions carefully before you start assembly.
- Keep this instruction sheet for future reference.

Technical Support: 1-877-452-6858



KUZCO
LIGHTING

19054 28th Avenue Surrey, BC Canada V3Z 6M3
 T: 604 538 7162 TF: 1-855 85 KUZCO F: 604 538 7196
 W: kuzcolighting.com
 20140522